



Owners Manual

LifeGuard Power Lift TM

Model #100287

Rev. 2/1/13

Table of Contents

1.	ASSEMBLY INSTRUCTIONS	3-5
	A. Lift Assembly	3
	B. Setup	3
	1. Clinch Pin Location Drawings	4
	2. Down Tube and Seat Assembly Drawings	4
	C. Disassembly	5
2.	CONTROL SYSTEM	5
	A. Batteries	5
	B. Battery Chargers	5
	C. Battery Storage	5
3.	REMOTE CONTROLS	6
4.	OPERATING INSTRUCTIONS	6-8
	A. Raising and Lowering Seat	6
	B. Rotation	6-7
	C. Pool Entry	7
	D. Pool Exit	7-8
	1. Transfer Drawings	8
	2. Rotation Radius Drawing	8
5.	SAFETY AND CARE	9
6.	TROUBLESHOOTING	9
7.	SPECIFICATIONS	9-10
	A. Range of Motion	9
	B. Dimensions and Capacity	10
	C. Components	10
8.	PARTS LIST	10
9.	WARRANTY	11

1. ASSEMBLY INSTRUCTIONS

Tools:

- 2 - 9/16 " open end wrenches/sockets
- 1 - Flat head screw driver
- 1 - Phillips head screw driver

A. Lift Assembly

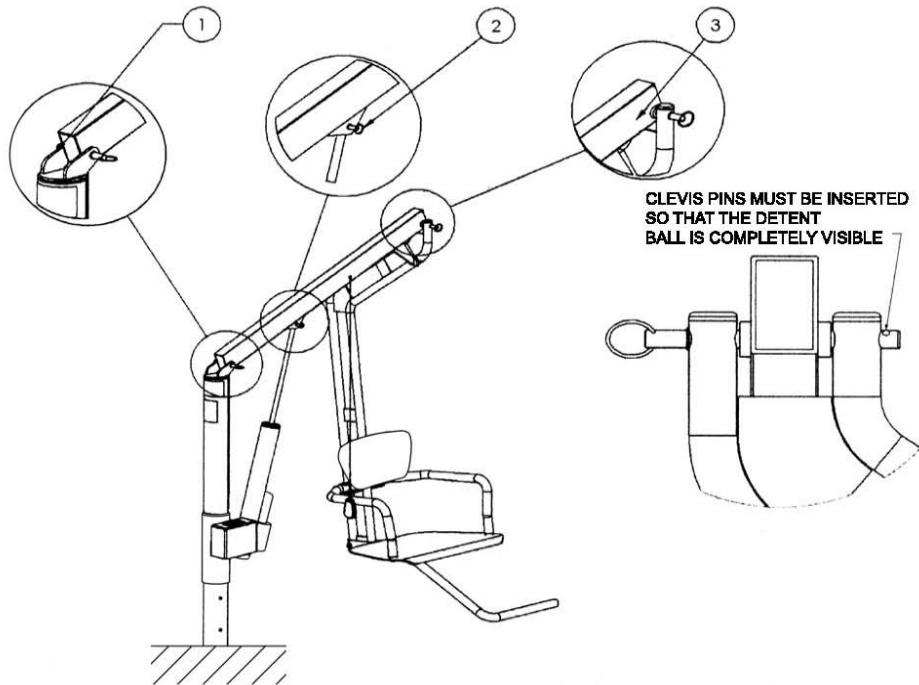
(Note: See Drawings on Pages 4)

1. Insert anchor bushing into the anchor.
2. Insert the mast assembly into the anchor bushing. Make sure that the mast assembly is resting firmly inside the anchor.
3. Attach the boom by inserting a #1 clevis pin. Make sure that the clevis pin is inserted properly. (See page 4)
4. Attach the actuator rod to the boom with a #2 clevis pin.
Attach the down tube with #3 clevis pin. (See page 4 to find the location of the down tube)
6. Bolt the seat assembly to the down tube with two (2) 3/8 " bolts with a washer on each side. Tighten the bolts to 10-ft lbs.
7. Attach the fixed armrest to the mast side of the seat using one (1) 3/8 "x5/8 " bolt.
8. Insert the opposite armrest over the shaft. Insert a 1/4 " screw and tighten the stop tube to 6-ft lbs. Make sure that the stop sleeve is in the slot of the bracket attached to the down tube. The armrest now should fit inside the hole in the seat and fold backwards approximately 120 degrees.
9. Bolt the foot rest to the flange under the seat with two (2) 3/8 " bolts with a washer on each side. Tighten the bolts to 15-ft lbs. Make sure that the foot rest is inside the flange.
10. Make sure that the foot rest is inserted through flange.
Install a fully charged battery and make two (2) electrical connections.
11. Make sure all mechanical and electrical connections are secure.
12. Cover the battery assembly with the removable battery cover.
13. Unlock the control box and operate the lift to make sure it is working properly.

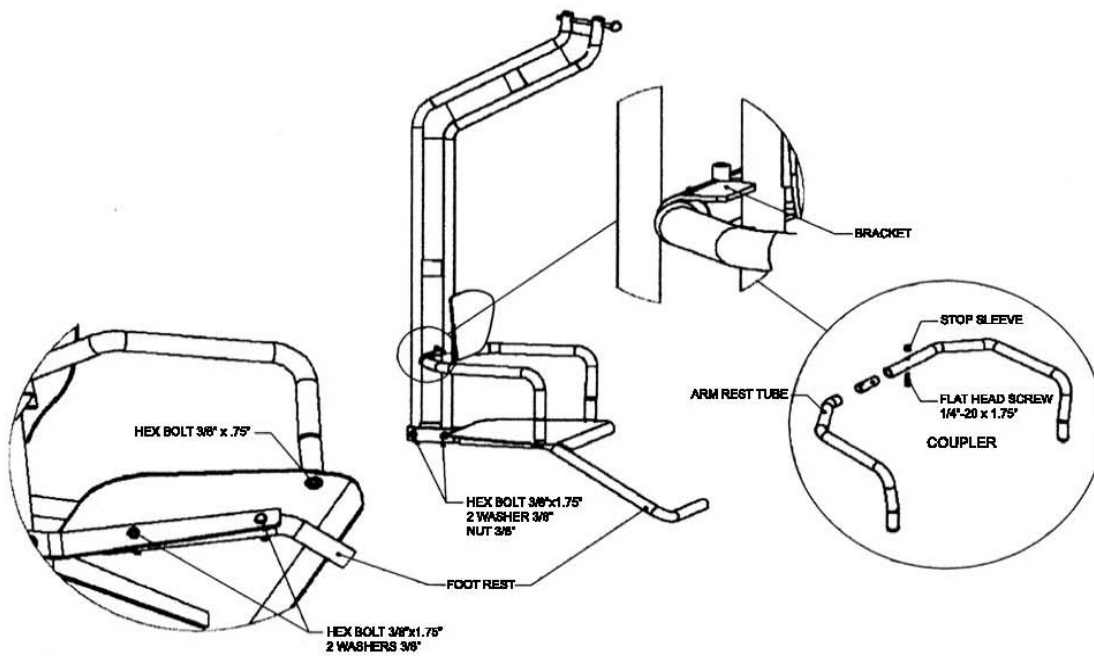
B. Setup

1. Remove the anchor lid.
2. Insert the anchor bushing and then insert the mast into the anchor.
3. Attach the boom to the mast.
4. Attach the actuator to the boom.
5. Attach the down tube/seat assembly to the boom.
6. Install the battery, make the battery connections and install the battery cover.
7. Unlock the control box.
8. The lift now is ready to operate.

Clinch Pin Locations



Down Tube and Seat Assembly



C. Disassembly

NOTE: the actuator must be in the retracted position.

1. Lock the controller, remove the battery cover, disconnect and remove the battery.
2. Detach and remove the down tube/seat assembly.
3. Detach the actuator connection from the boom and secure to the mast using the restraint strap.
4. Detach and remove the boom.
5. Remove the mast from the anchor.
6. Remove the bushing and replace the anchor lid.

2. CONTROL SYSTEM

The LifeGuard Power Lift battery operating system includes a 12V wireless waterproof locking control box with a convenient wireless waterproof remote control. A 12V wheelchair grade battery is included. Battery charging is provided by a battery charger equipped with an automatic shut off control.

A. Battery

Normal charging time should not exceed four (4) hours. If not used, the battery should be charged once per month. A fully charged battery should provide approximately 30 lifting cycles for an average weight adult occupant before charging is required.

B. Battery Charger

The battery charger comes with an owner' s manual and should be read entirely before the lift if operated.



WARNING: Failure to keep battery charged can result in serious injury or death.

C. Battery Storage

When the lift is not in use, the battery never should be in the battery box on the lift. The battery must be stored and charged in a safe, cool and dry location.



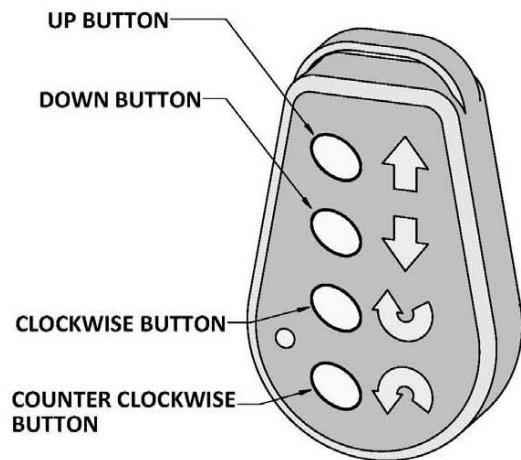
WARNING: The battery must never be charged on the lift or near the water.

3. REMOTE CONTROL

The lift is equipped with a conveniently located wireless waterproof remote control.

The remote control is for the operator or an assistive operator. The control is brightly marked for ease of operation.

The remote control is programmed to perform four (4) functions as shown in the picture.



4. OPERATING INSTRUCTIONS

A. Raising and Lowering Seat

1. UP button: Pressing the UP button raises the seat when the button is depressed until the lift reaches its maximum up position. Releasing the button will stop the operation.
2. DOWN button: Pressing the DOWN button lowers the seat when the button is depressed until the lift reaches its full down position. Releasing the button will stop the operation.

B. Rotation

1. Clockwise Rotation: Pressing the Clockwise button rotates the lift in a clockwise direction. The lift will continue to rotate in this direction until the button is released.
2. Counterclockwise Rotation: Pressing the counterclockwise button rotates the lift in a counterclockwise direction. The lift will continue to rotate in this direction until the button is released.



WARNING: Failure to observe the following warnings can result in severe injury or death.



WARNING: Operator of the lift must read and understand the operating instructions.



WARNING: Operate the lift exactly as described in the transfer procedure described within.



WARNING: Do not exceed the maximum lifting capacity of 350 lbs. (158 kilos)



WARNING: Children are strictly prohibited from playing on or near the lift.



WARNING: Children may operate the lift only under close adult supervision.



WARNING: The lift must never be operated in a pool with no water in it.



WARNING: Never direct water pressure towards electronic controls or components.



WARNING: Do not rotate the lift directly into the pool wall, spa wall, or deck.



WARNING: Make sure that the lift is properly installed and always operated properly in accordance with the operating instructions.



WARNING: Users must never attempt to get onto or off the lift in the area between the mast and the pool edge.
(See the Warning Area shown on Page 8)

C. Pool Entry

1. When the lift is in place, make a visual inspection, unlock the control box and make a short test run.
2. Using the wireless hand controller, rotate the seat in the counterclockwise direction until it reaches a safe and comfortable position for transfer.
3. Raise or lower the seat to the proper transfer height and raise the left arm rest.
Note: Access to the seat is from the left side only. The right side arm rest is permanently fixed as a safety barrier.
4. Transfer the occupant onto the seat, positioning the occupant 's weight n the center of the seat.
5. Lower the arm rest and fasten the safety belt.
6. When the occupant is safely secured in the seat, raise the seat for additional legroom for the occupant to rotate the seat.
7. Rotate the seat in the clockwise direction to a position above the water.
(See drawing on Page 8)
8. Lower the seat into the pool to the desired level. Unfasten the seat belt and raise the arm rest to its upright position. It is now safe for the occupant to enter the pool.

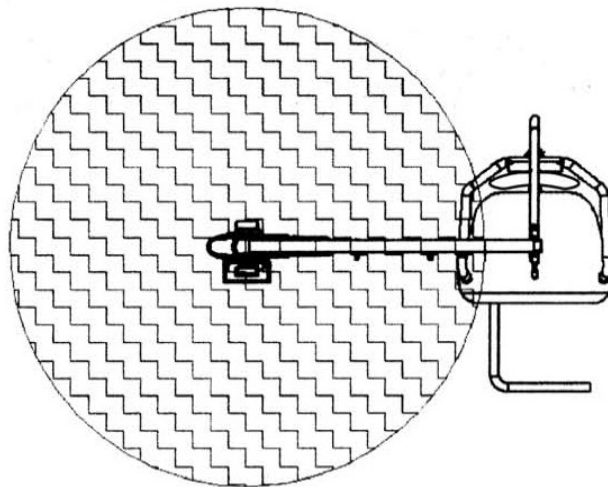
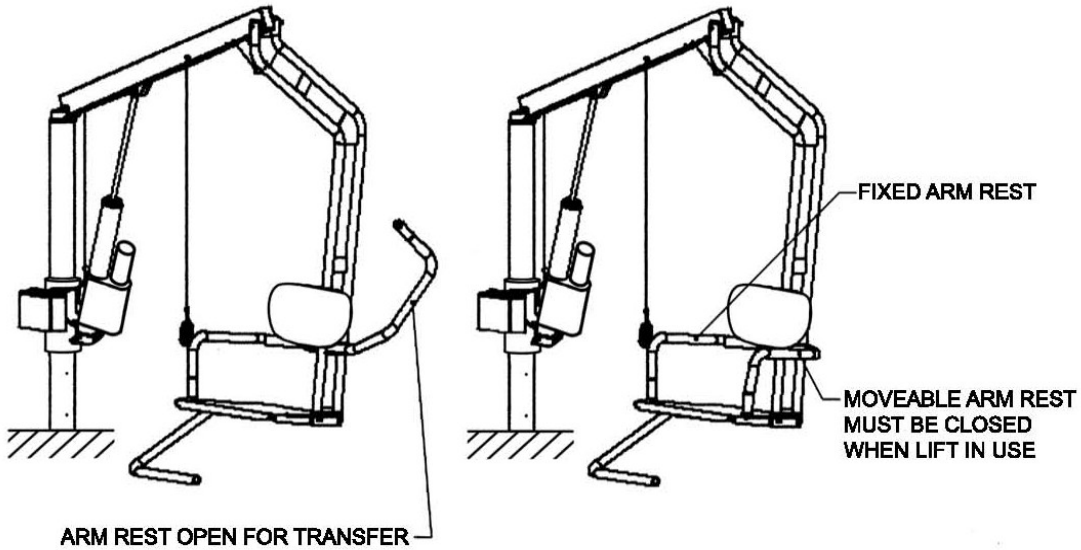
D. Pool Exit

1. When water activity is finished, the occupant returns to the seat, using the permanent seat arm and pool edge to center the occupant 's body weight on the seat.
2. Return the left arm rest to its down position and fasten the safety belt.
3. Raise the seat to a height that the occupant determines will allow ample leg room to rotate the seat safely.

4. Rotate the seat in the counterclockwise direction to the same spot where the occupant transferred onto the seat and raise or lower the seat to a safe transfer height. (See Drawing below)
5. Raise the arm rest to its upright position, unfasten the safety belt and transfer the occupant off the seat.

ARM REST READY FOR TRANSFER

ARM REST READY FOR USE



WARNING
DO NOT ATTEMPT TO ENTER THE CHAIR FROM THE HATCHED AREA.
(BETWEEN MAST AND CHAIR).

5. SAFETY AND CARE

1. Remove and store the lift when it is not in use.
2. Inspect the lift each time before use to ensure that there are no worn parts or loose hardware.
3. Check and charge the battery as needed.
4. If any WARNING or USE labels faded or become illegible, call LifeGuard Lift Inc. at 1-800-688-3958 and we will mail you replacements at no charge.
5. When cleaning the lift, use a non-abrasive soap and wipe dry with a soft non-abrasive cloth. Do not use any harsh chemicals or disinfectants.



WARNING: Do not move the lift with the battery and battery cover in place.



WARNING: Storing the lift in a pump or storage room, where pool or other corrosive chemicals or materials are stored may damage the lift and will void the Warranty.

6. TROUBLE SHOOTING

Problem	Cause	Solution
Seat will not rotate	Low Battery	Recharge Battery
Seat will not raise or lower	Battery not installed properly	Reinstall battery
Hand controller malfunction	Loss of code or Manufacturing defect	*Recode or Replace controller
Seat travels slower than normal	Low battery or Defective or worn-out battery	Recharge battery or Replace battery

7. SPECIFICATIONS

A. Range of Motion

1. 360 degrees
2. Lifting range: 19 " height, 26 " depth below deck (dimensions from seat base height)
3. Overall height is 72 " with the boom up and 27 " with the boom down.
4. Overall sweep radii is 56 "

B. Dimensions and Capacity

1. Maximum lifting capacity is 350lbs.
2. Battery life is 35/40 cycles.
3. Lift Weight (less battery) = 79 lbs.
 - a. Mast - 48 lbs.
 - b. Boom - 8 lbs.
 - c. Down Tube with foot rest and arm rest - 23 lbs.

C. Components

1. Actuator (12V)
2. Wireless Remote Controller (12V)
3. Locking Control Box
4. Battery - 12V
5. Planetary Gear Motor - (Waterproof to 6ft deep)
6. Ground Lug per NEC code.
7. Safety Belt
8. Material and Finish
 - a. Aluminum: 6061 - T6
 - b. Stainless Steel: Grade 304
 - c. Lift Powder Coating: Marine Grade
 - d. Actuator Coating: Waterproof Polycoating

8. PARTS LIST

PART NUMBER	DESCRIPTION
25331	Actuator
25553	Locking Control Box
26050	Battery, SLA, 12V, 10AH
23127	Battery Cover
31584	Remote Controller L=36 "
31585	Remote Controller (optional) L=24 "
27080	Clevis Pin #1
27081	Clevis Pin #2
27082	Clevis Pin #3
23120	Anchor Cap
25616	Anchor Bushing
25566	Battery Charger
25555	Seat Belt
29114	Warning Label
26042	Actuator Restraint Strap

9. WARRANTY

LifeGuard Lift, Inc. Limited Warranty

LifeGuard Lift, Inc. warrants to the original end user purchaser that products manufactured by LifeGuard Lift, Inc., when properly installed in accordance with the assembly and installation instructions, and when properly used and maintained, shall be free from defects in material and workmanship as follows:

Frame excluding paint - five (5) years.
Electrical components including the actuator - two (2) years.
Warranty periods begin to run from the date of original purchase.

This warranty specifically excludes reimbursement for labor to remove, repair, or to install or reinstall the product and specifically excludes any shipping charges.

This warranty does not cover any damage due to:

1. Exceeding the specified weight capacity of 350 lbs. (158 kg)
2. Failure to install or to assemble the lift in accordance with the installation and assembly instructions
3. Failure to properly maintain the product
4. Misuse, abuse, or negligence
5. Accident
6. Normal wear and tear from day-to-day operations
7. Any alteration or repair or without the prior written approval by LifeGuard Lift, Inc.

To initiate a warranty claim, the owner of an LifeGuard Lift, Inc. product must submit to Lifeguard Lift, Inc. a Return Merchandise Authorization form stating the date and place of purchase, a full description of the product, its serial number, the date of installation, and the exact nature of the defect. Within thirty (30) days after receipt by LifeGuard Lift, Inc. of a written warranty claim, and barring any unforeseen delays, the claimant will be notified of LifeGuard Lift, Inc. ' s decision regarding the claim. If requested by LifeGuard Lift, Inc., any defective product must be returned, freight prepaid, to LifeGuard Lift, Inc. designated factory location or duly appointed distributor for inspection and/or repair. At its option, Lifeguard Lift, Inc. will repair or replace the failed or defective item, and will deliver the repaired product or replacement to the claimant. Products returned to LifeGuard Lift, Inc. for which it provides replacement under this limited warranty shall become the property of LifeGuard Lift, Inc.

A new warranty period shall NOT be established for any repaired or replaced products. Repaired or replaced products will remain under warranty only for the remainder of the original warranty period for the original product purchased.

THIS WARRANTY IS IN LIEU OF ALL OTHER WARRANTIES, EXPRESSED OR IMPLIED, WHICH HEREBY ARE DISCLAIMED AND EXCLUDED, INCLUDING WITHOUT LIMITATION ANY WARRANTY OF MERCHANTABILITY OR FITNESS FOR A PARTICULAR PURPOSE OR USE. THE SOLE AND EXCLUSIVE REMEDY FOR BREACH OF THIS WARRANTY SHALL BE LIMITED TO REPAIR OR REPLACEMENT AT LIFE GUARD LIFT, INC. ' S DESIGNATED FACTORY LOCATION OR DULY APPOINTED DISTRIBUTOR, OR IN PLACE AT LIFE GUARD LIFT, INC. ' S OPTION. IN NO EVENT SHALL LIFE GUARD LIFT, INC. ' S LIABILITY EXCEED THE ENTIRE AMOUNT PAID BY THE ORIGINAL PURCHASER FOR THE FAILED OR DEFECTIVE PRODUCT. IN NO EVENT SHALL LIFE GUARD LIFT, INC. BE LIABLE FOR ANY INCIDENTAL, CONSEQUENTIAL, SPECIAL, INDIRECT, PUNITIVE OR EXEMPLARY DAMAGES OR LOST PROFITS FROM ANY BREACH OF THIS LIMITED WARRANTY OR OTHERWISE.

This written limited warranty constitutes the final, complete and exclusive statement of warranty terms. No person or organization is authorized to make any other specific or implied warranties or representations on behalf of LifeGuard Lift, Inc. No employee, distributor, dealer, representative, or other person or organization has the authority to:

1. Make any representation concerning this product
2. Modify any term or condition contained in this warranty
3. Grant any other warranty on behalf of or binding on LifeGuard Lift, Inc.

Anyone ' s attempt to do anything listed in the above 3 numbered paragraphs, the warranty will be null and void.

LifeGuard Lift, Inc.
5060-F Commercial Circle
Concord, CA 94520